

Door Control



ABS Building Products Pte Ltd, #06-09 Orion@PayaLebar, 160 Paya Lebar Road, Singapore 409022, MacPherson MRT exit A, T: 65-6841 7600 Ext.200, F: 6841 7300, 9248 7647 / 8322 0647
 ABS Hings Building Products Pte Ltd, #06-09 Orion@PayaLebar, 160 Paya Lebar Road, Singapore 409022, MacPherson MRT exit A, T: 65-6841 7600 Ext.200, F: 6841 7300, 9424 3330
 ABS Building Products Co Ltd, Unit 16, 5/F Metro Centre II, 21 Lam Hing Street, Kowloon Bay, Kln, Hong Kong, T: 852-3904 3587, F: 3904 3532, 5646 8340, QQ: 2272 52833
 ABS Building Products Sdn Bhd, No 18-2 Jalan Tasik Utama 7, Medan Niaga, Tasik Damai, Sungai besi-da - 57000 Kuala Lumpur Malaysia, 60-12389 8833
 ABS Building Products - CHINA, 86-147 1433 8340 / 147 1433 5470
 enquiry@absbldg.com www.absbuildingproduct.com www.absbldg.com

All rights reserved. No part of this publication may be reproduced, stored in a retrieval system or transmitted, in any form or by any means, electronic, mechanical, photocopying, recording or otherwise, without the prior permission of the copyright owner. Dimensional data is not binding. We also reserve rights to alter specifications and technical data without notice. 201501.

A B S - SINGAPORE • KUALA LUMPUR • JAKARTA • HONG KONG • GUANZHOU • SHANGHAI • BEIJING



Top Quality
Assured



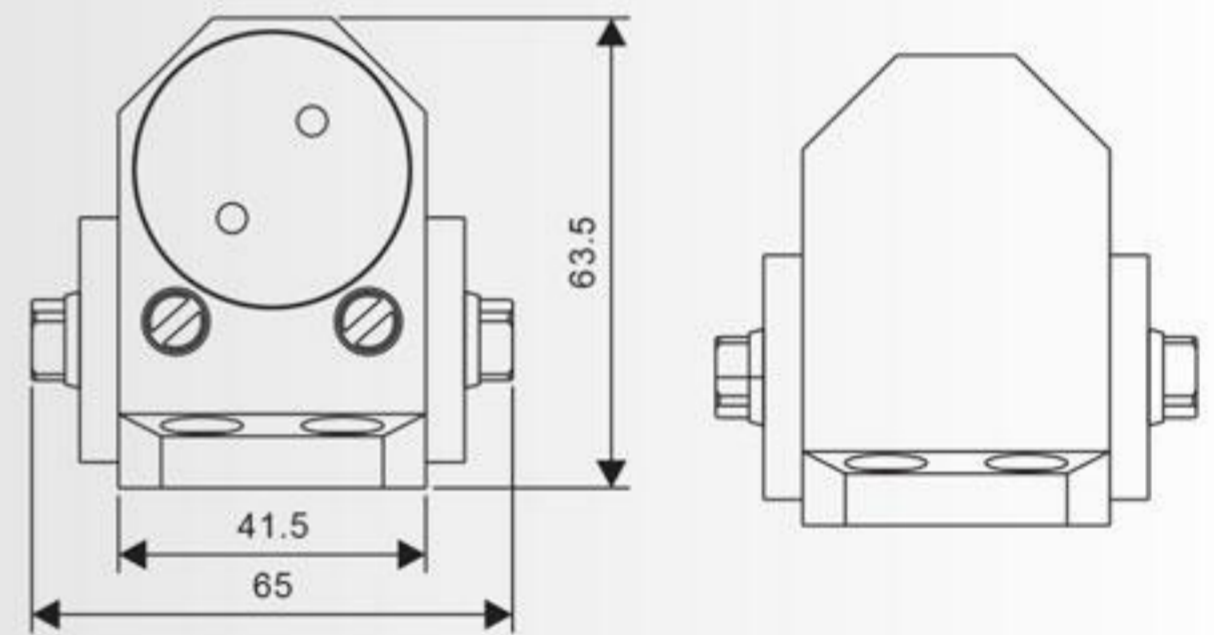
ABS2000 PA BRACKET



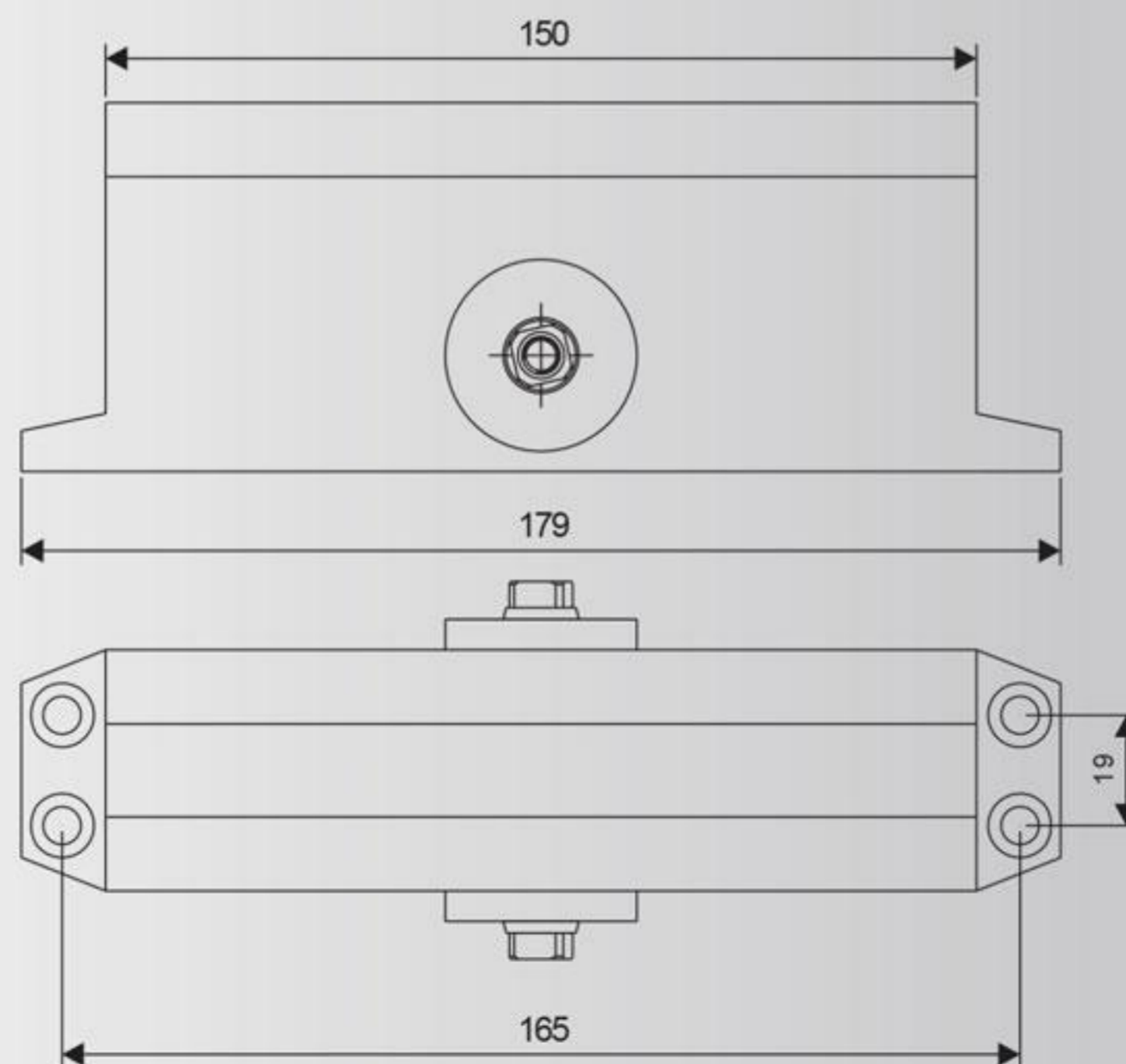
2000 Series • Simple & Efficient

Model	Item Code	Door Width	Door Weight
ABS 2012	DCAB01908	850 mm	40 Kg
ABS 2013	DCAB01909	950mm	60 Kg

- ⌘ **Medium Duty For Residential & Commercial Doors**
- ⌘ **Precise Cast Aluminium Body & Steel Arm**
- ⌘ **Adjustable Closing & Latching Speed**
- ⌘ **Non-Handed Installation**
- ⌘ **Fixed Spring Strength EN2 & EN3**
- ⌘ **Hold Open Function Optional**
- ⌘ **Maximum Opening Angle : 180°**
- ⌘ **CE Certified EN1154 : GZ11090172-2**



Refer to Template & Installation Instruction

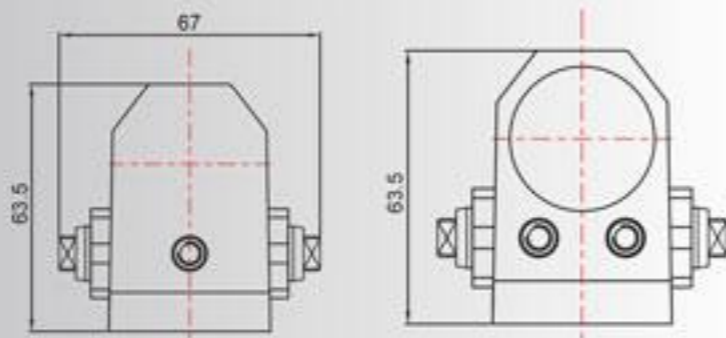




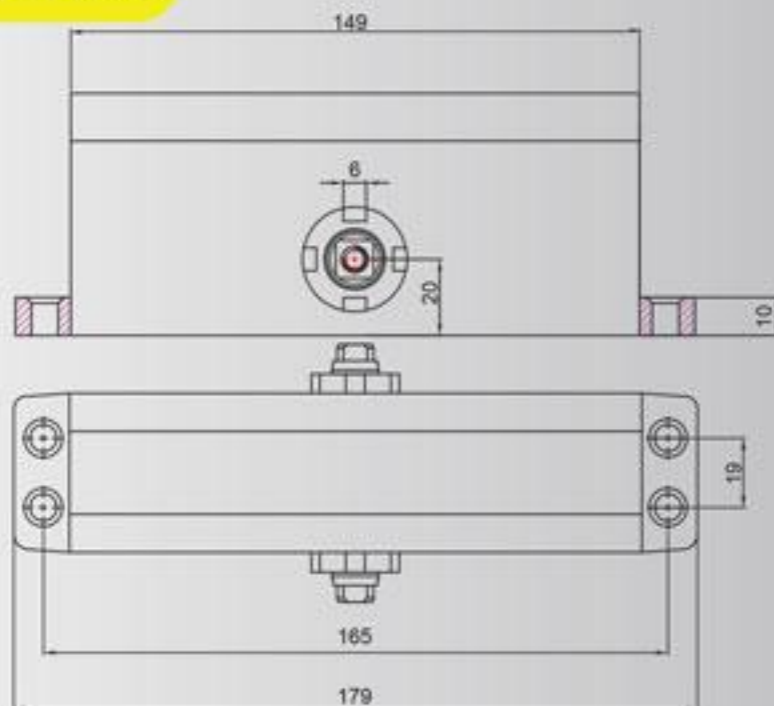
2500 Series • Simple & Efficient

Model	Item Code	Door Width	Door Weight
ABS 2500	DCAB01836	800 -1000 mm	45-65 Kg

- Medium Duty For Residential & Commercial Doors
- Precise Cast Aluminium Body & Steel Arm
- Adjustable Closing & Latching speed
- Non-Handed Installation
- Fixed Spring Strength EN3
- Maximum Opening Angle 180°
- CE Certified EN1154 : 160523157GZU-001



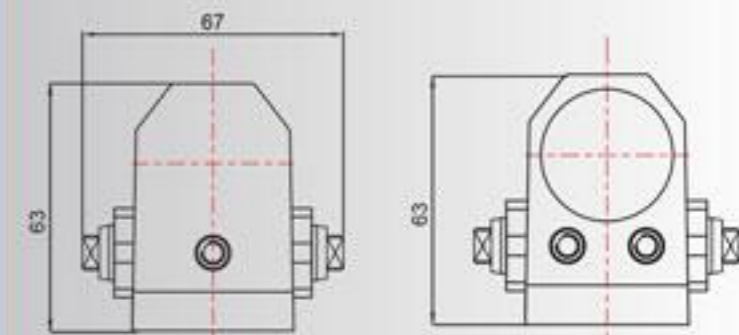
Refer to Template & Installation Instruction



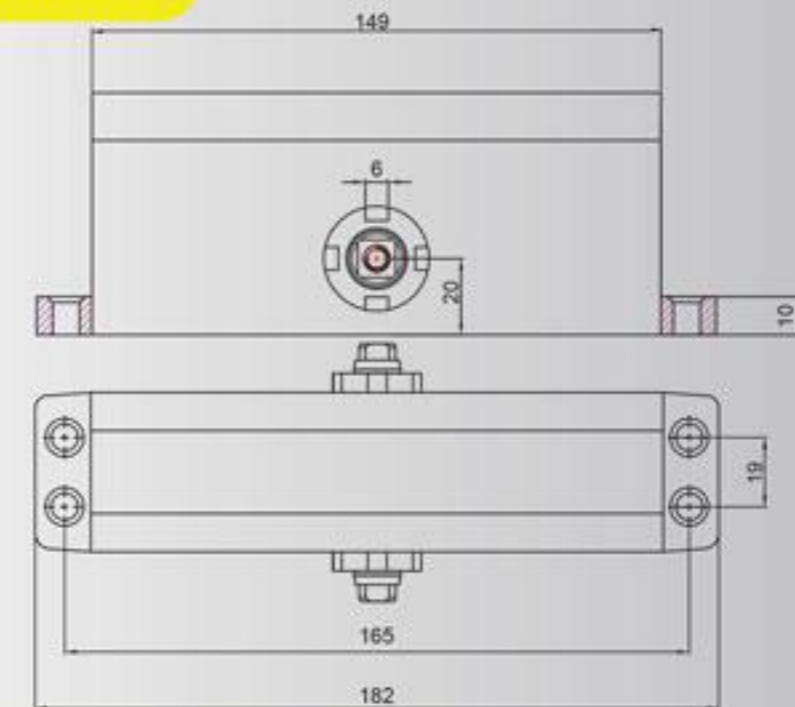
2600 Series • Simple & Efficient

Model	Item Code	Door Width	Door Weight
ABS 2600	DCAB01841	800 -1000 mm	40-65 Kg

- Medium Duty For Residential & Commercial Doors
- Precise Cast Aluminium Body & Steel Arm
- Adjustable Closing & Latching speed
- Non-Handed Installation
- Fixed Spring Strength EN3
- Adjustable Back Check
- Maximum Opening Angle 180°
- CE Certified EN1154 : 1406 18126GZU-001



Refer to Template & Installation Instruction

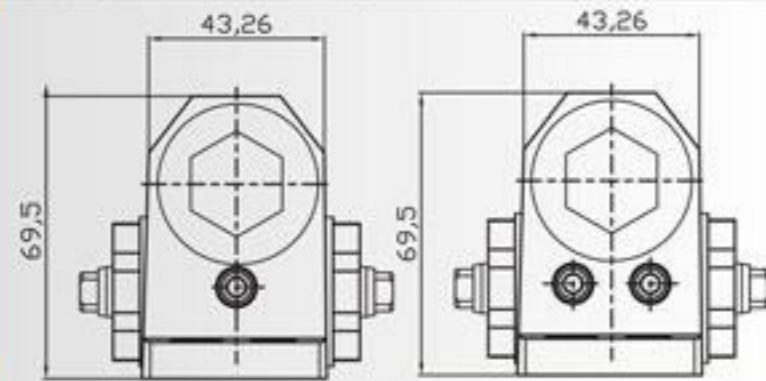




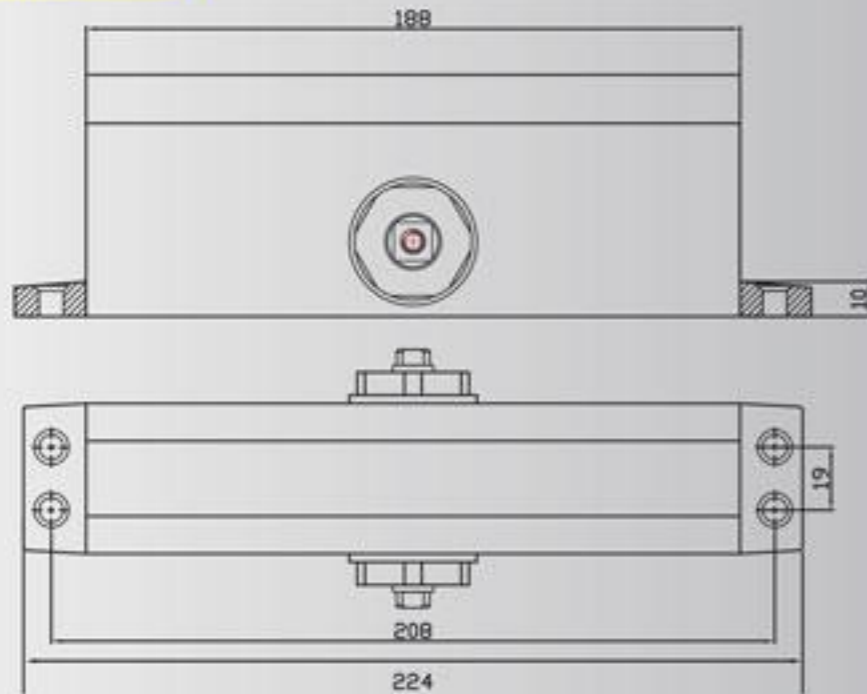
3500 Series • Simple & Efficient

Model	Item Code	Door Width	Door Weight
ABS 3500	DCAB01837	1200 - 1400 mm	85-110Kg

- Medium Duty For Residential & Commercial Doors
- Precise Cast Aluminium Body & Steel Arm
- Non-Handed Installation
- Fixed Spring Strength EN4/5
- Maximum Opening Angle 180°



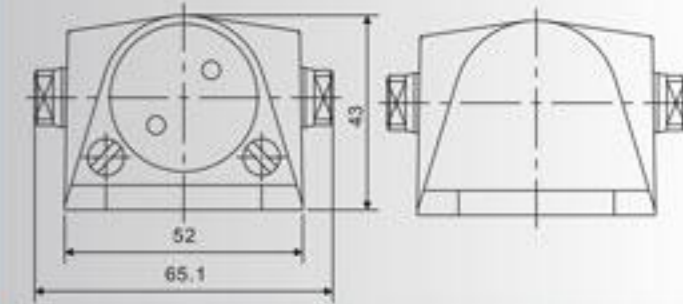
Refer to Template & Installation Instruction



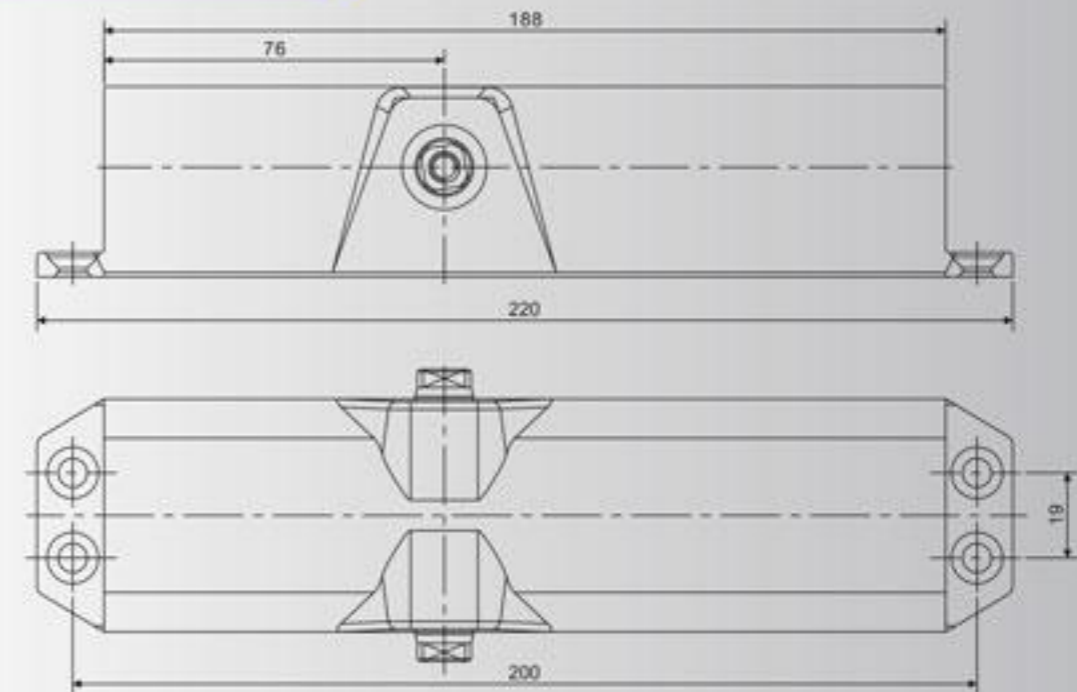
6800 Series • Simple & Efficient

Model	Item Code	Door Width	Door Weight
ABS 6813	DCAB01901	950 mm	60 Kg
ABS 6814	DCAB01902	1100 mm	85 Kg

- Medium Duty For Residential & Commercial Doors
- Precise Cast Aluminium Body & Steel Arm
- Adjustable Closing & Latching speed
- Non-Handed Installation
- Fixed Spring Strength EN3, EN4
- Hold Open Function Optional
- Maximum Opening Angle 180°
- CE Certified EN1154 : 1406 18126 GZU - 001



Refer to Template & Installation Instruction





ABS7300 PA BRACKET

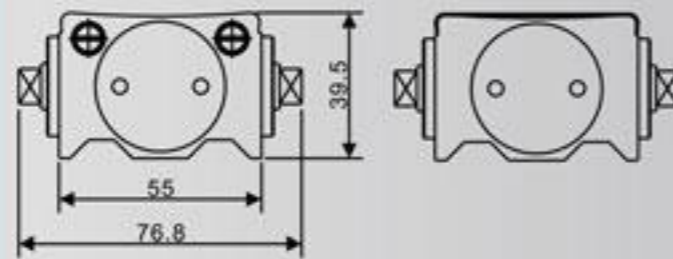


ABS 7300 SLIDING TRACK ARM

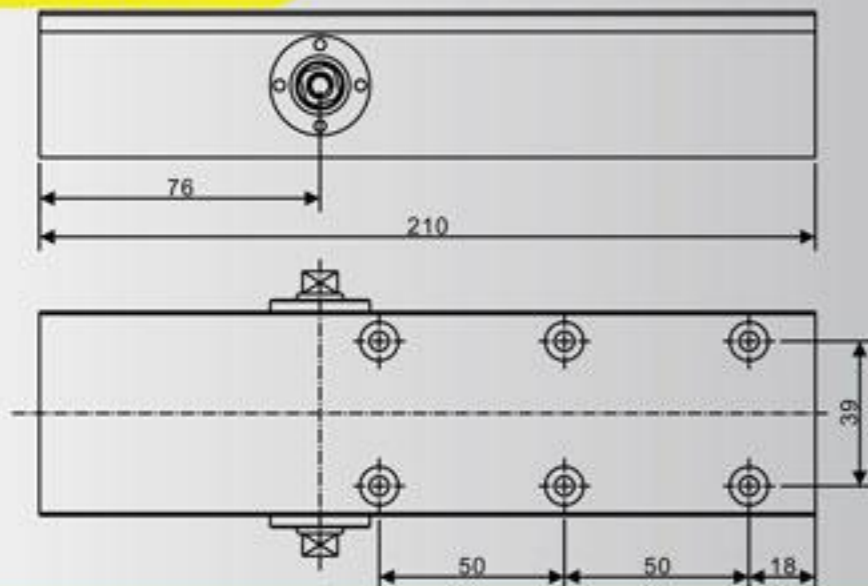
7300 Series . Versatile & Powerful

Model	Item code	Door Width	Door Weight
ABS 7300	DCAB01903	850-1250mm	40-100 Kg

- Heavy Duty for Commercial Doors
- Precise Cast Aluminium Body & Steel Arm, Sliding Track Arm Optional
- Adjustable Closing & Latching Speed
- Non-Handed Installation
- Adjustable Spring Strength EN2-5
- Hold Open Function Optional
- Maximum Opening Angle: 180
- CE Certified EN1154 : 1406 18126 GZU - 001
- BS EN 1634 -1: 2008
- BS EN 1363 -1: 1999



Refer to Template & Installation Instruction



ABS7300 PA BRACKET



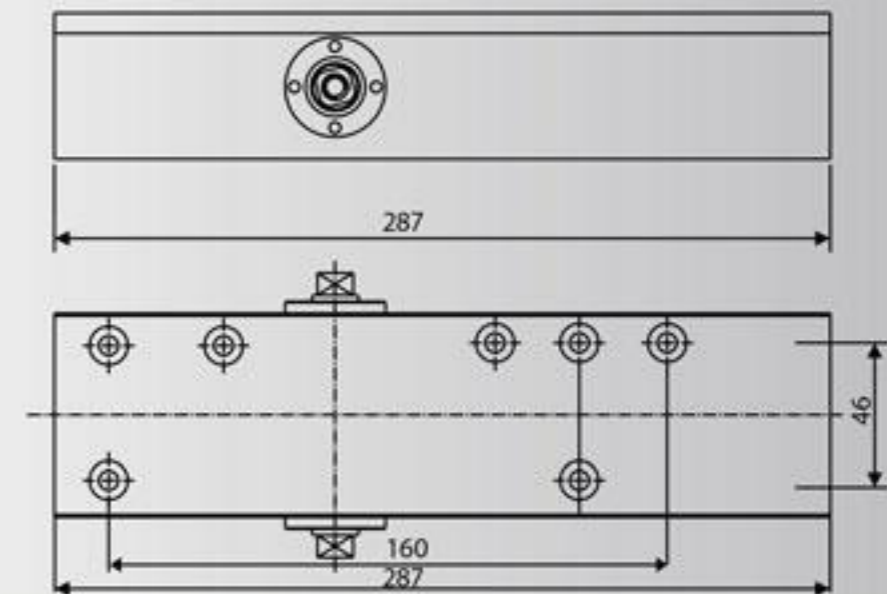
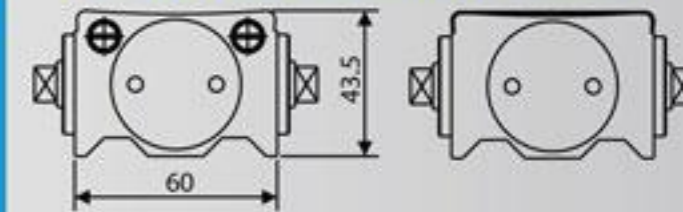
ABS 7300 SLIDING TRACK ARM

7400 Series . Versatile & Powerful

Model	Item code	Door Width	Door Weight
ABS 7400	DCAB01842	850-1500mm	45-150Kg

- Heavy Duty For Commercial Doors
- Precise Cast Aluminium Body & Steel Arm, Sliding Track Arm Optional
- Adjustable Closing & Latching Speed
- Non-Handed Installation
- Adjustable Spring Strength EN3-6
- Adjustable Back Check, Hold Open Function Optional
- Maximum Opening Angle 180

Refer to Template & Installation Instruction



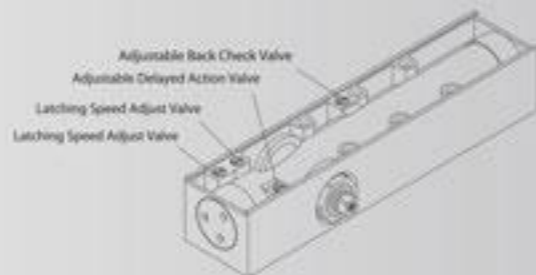


8300 Series • Versatile & Powerful

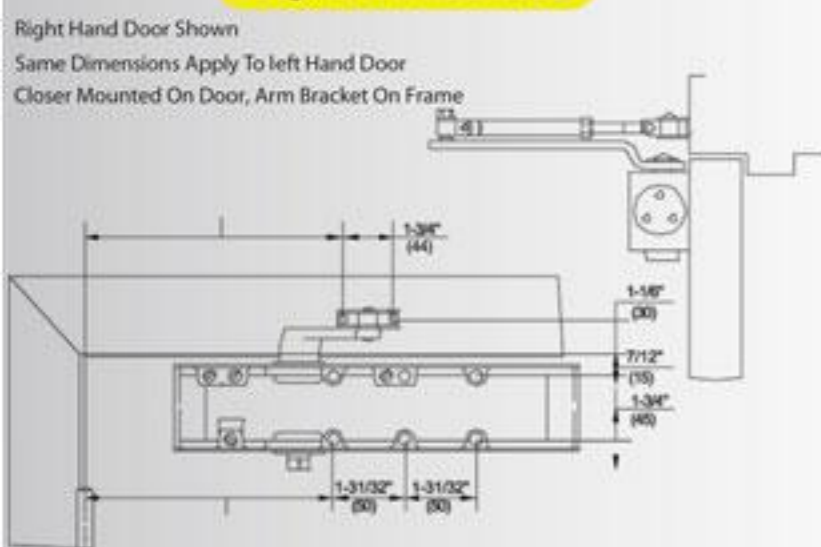
Model	Item code	Door Width	Door Weight
ABS 8300	DCAB01817	950-1500mm	60-150Kg

- Extra Heavy Duty For Commercial Doors
- Precise Cast Aluminium Body & Steel Arm
- Adjustable Closing & Latching Speed
- Non-Handed Installation
- Adjustable Spring Strength EN3-6
- Adjustable Back Check, Hold Open Function Optional
- Maximum Opening Angle 180
- BS EN1154 Certification 500,000 Life Cycles
- BS EN 1634 -1: 2008
- BS EN 1363 -1: 1999
- BS EN 1634 -3: 2004

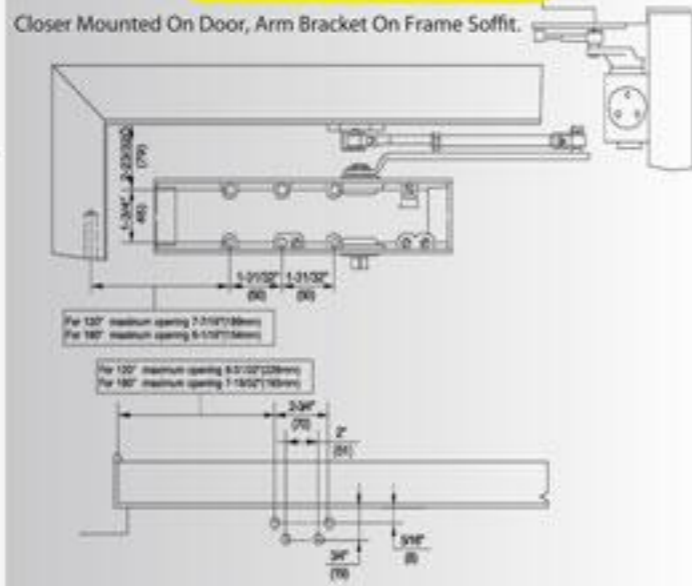
Refer to Template & Installation Instruction



Regular Arm Installation



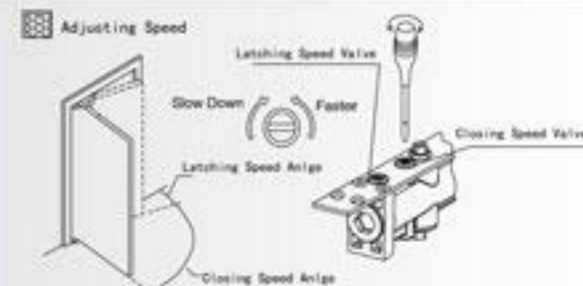
Parallel Arm Installation



C8000 Series • Versatile & Powerful

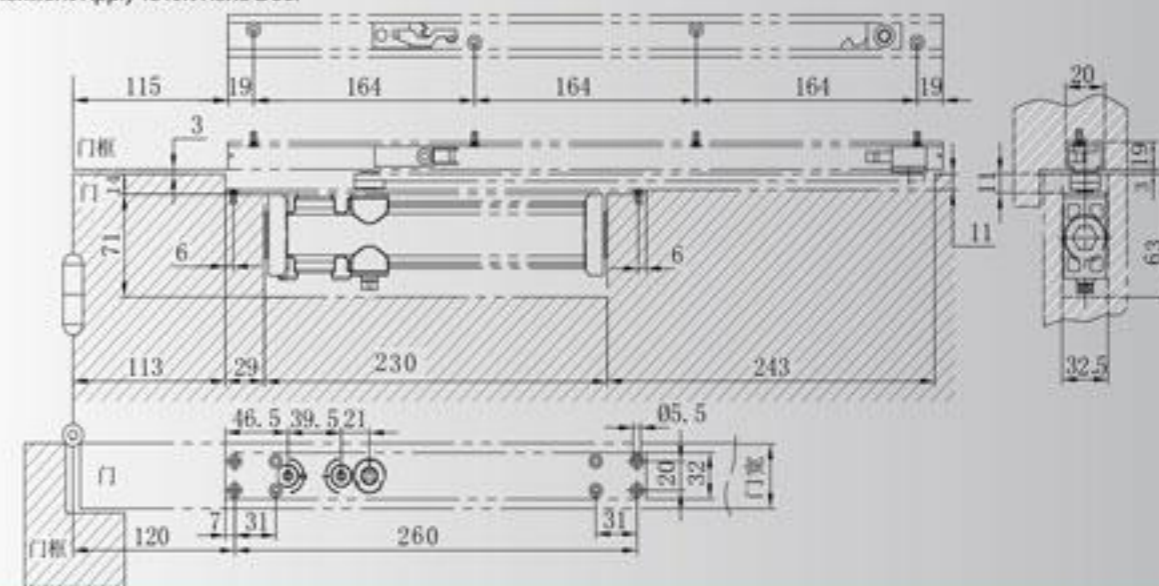
Model	Item code	Door Width	Door Weight
ABS C8004	DCAB01823	800-1100mm	65-85Kg

- Light Duty Concealed Overhead Closer
- Extra Heavy Duty For Residential & Commercial Doors
- Precise Cast Aluminium Body
- Non-handed Installation
- Fixed Spring Strength EN4
- Anodized Aluminium Sliding Track Arm With Optional Hold Open Device
- Slim Body with 32mm Thickness



Refer to Template & Installation Instruction

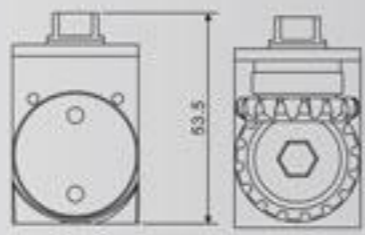
Right Hand Door Shown
Same Dimensions Apply To Left Hand Door



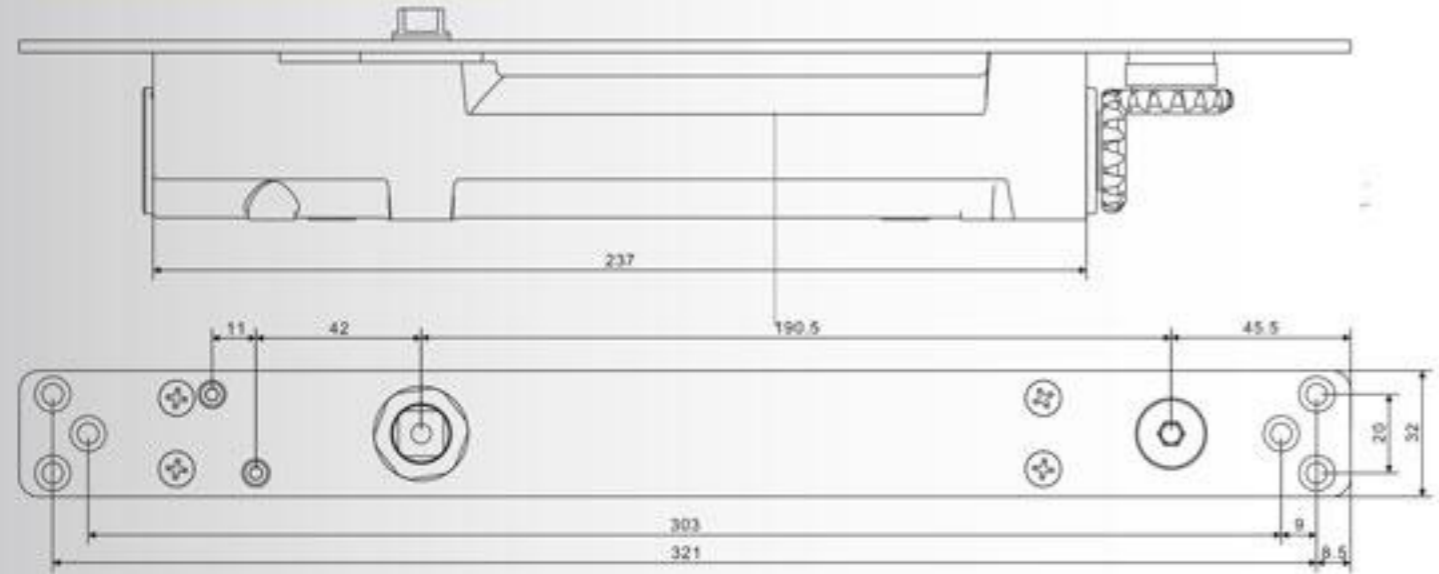


C9600 Series • Versatile & Powerful				
Model	Item code	Door Width	Door Weight	
ABS 9614	DCAB01907	1100 mm	80 Kg	

- Light Duty Concealed Overhead Closer
- Extra Heavy Duty for Residential & Commercial Doors
- Precise Cast Iron Body
- Non-Handed Installation
- Fixed Spring Strength EN4
- Anodized Aluminium Sliding Track Arm with Optional Hold Open Device
- Slim Body with 32mm Thickness



Refer to Template & Installation Instruction



SERIES	MODEL	ITEM CODE	EN SIZE	DOOR WIDTH (mm)	DOOR WEIGHT (kg)	DC	BC	HOLD OPEN	SLIDING ARM	EN 1154 & EN 1634	C E	SS332:2007
2000*	ABS 2012	DCAB01908	2	850	40	○	●	○	○	☑	☑	●
	ABS 2013	DCAB01909	3	950	60	○	●	○	○	☑	☑	●
2500	ABS 2500	DCAB01836	3	800-1000	45-65	●	○	○	○	☑	●	●
2600	ABS 2600	DCAB01841	3	800-1000	40-65	●	☑	○	○	☑	☑	●
3500	ABS 3500	DCAB01837	4/5	1200-1400	85-110	●	○	○	○	☑	●	●
6800	ABS 6813	DCAB01901	3	950	60	○	☑	○	○	☑	☑	●
	ABS 6814	DCAB01902	4	1100	80	○	☑	○	○	☑	☑	●
7300	ABS 7300	DCAB01903	2-5	850-1250	40-100	○	●	○	○	☑	☑	●
7400	ABS 7400	DCAB01842	3-6	850-1500	45-150	○	☑	○	○	●	●	●
8300	ABS 8300	DCAB01817	3-6	950-1500	60-50	●	○	○	○	☑	☑	●
C8000	ABS C8004	DCAB01823	4	800-1100	65-85	●	●	○	○	●	●	●
C9600	ABS 9614	DCAB01907	4	1100	80	○	●	○	○	●	●	●

FINISH * STANDARD COLOR = SILVER (OTHER COLOR MOQ REQUIRED)
 Silver Bronze Brown Black Gold White MINIMUM DOOR THICKNESS IS 45 MM

● = TO BE AVAILABLE ☑ = YES ○ = OPTION WITH AN EXTRA CHARGE

Hold Open Arm or Sliding Arm is Available as an Option with Additional Charges but Without EN Certificate